

SYMETRICS Basin mixer without pop-up waste with temperature setting - Chrome

ST 010 202 8740



Individual components of this set

You need the following components for this set



1x

42 765 970 90



1x

13 800 740-00



SYMETRICS Basin mixer without pop-up waste with temperature setting - Chrome

ST 010 202 8740

SYMETRICS Basin mixer without pop-up waste with temperature setting - Chrome

ST 010 202 8740



Fits: IMO, LULU, MADISON, MEM, TARA, CL.1, LISSÉ, VAIA, META, CYO

- automatic hygiene flush
 - suitable for thermal disinfection
 - adjustable follow-up time
 - high-frequency sensors with self-calibration
 - magnetic valve
 - temperature setting via thermostat
 - 100-240 V AC / 12 V DC, 50-60 Hz, 18 W power supply unit, incl. country-specific adapter set
- Cannot be combined with basins in conducting materials (e.g. steel, river stone).
Cannot be combined with basins that have a closing drain.**
- ATTENTION: Separate terms and conditions for electronic articles are applicable.**

Cannot be combined with basins in conducting materials (e.g. steel, river stone).

Cannot be combined with basins that have a closing drain.

ATTENTION: Separate terms and conditions for electronic articles are applicable.

Required miscellaneous



eSET Touchfree Basin mixer with temperature setting for combining with wall-mounted fittings - 35 741 970 90

- max. recess depth 125 mm
- min. recess depth 90 mm

Recommended miscellaneous

Extension for Touchfree 500 mm - 12 765 970 90



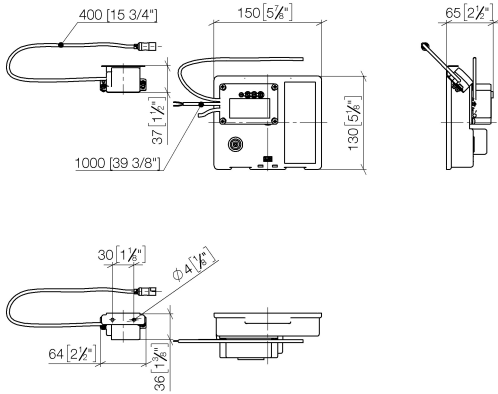
Required miscellaneous



eSET Touchfree Basin mixer with temperature setting for combining with free-standing fittings - 35 740 970 90

**SYMETRICS Basin mixer without pop-up waste with temperature setting -
Chrome**

ST 010 202 8740
mm [inches]

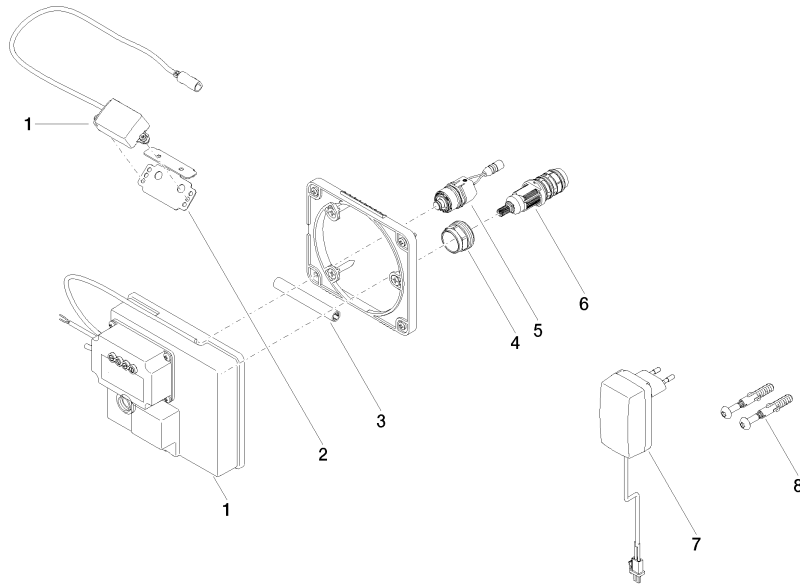


Certificates

LGA_29120.	WRAS_1906116.	IAPMO_EGS.	CE000001_eSet_Tou chfree_20171206_D E_signed.	CE000002_eSet_Tou chfree_20171206_E N_signed.
LGA_29119.				

**SYMETRICS Basin mixer without pop-up waste with temperature setting -
Chrome**

ST 010 202 8740



Spare parts list

No.	Item Number	Name	Quantity used	Delivery time
1	90 10 01 177 00 90	electronic accessories	1	2
2	90 17 20 199 00 90	holder	1	2
3	90 23 01 124 00 90	sleeve	1	2
4	09 23 10 129 90	nut	1	2
5	04 30 50 079 00 90	valve	1	2
6	90 15 02 013 00 90	cartridge	1	2
7	04 10 01 246 00 90	electronic accessories	1	2
8	04 30 31 024 01 90	fixing set	1	2

SYMETRICS Basin mixer without pop-up waste with temperature setting - Chrome

ST 010 202 8740



- 125mm projection
- fixed spout
- rectangular, air-enriched flow
- hole diameter 37 mm
- 1/2" connection
- plug-link mounting
- max. flow 5 l/min
- lead-free

The mounting height from the top edge of the basin to the centre of the connection should be at least 125 mm. The front edge of the spout should be at least 20 mm in front of the back edge of the sink.

For Touchfree control please order eSet Touchfree WITH or WITHOUT temperature adjustment

Recommended miscellaneous



Concealed wall elbow -

35 085 970 90

- max. recess depth 163 mm
- min. recess depth 90 mm

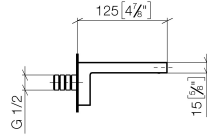
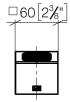


SYMETRICS Basin mixer without pop-up waste with temperature setting - Chrome

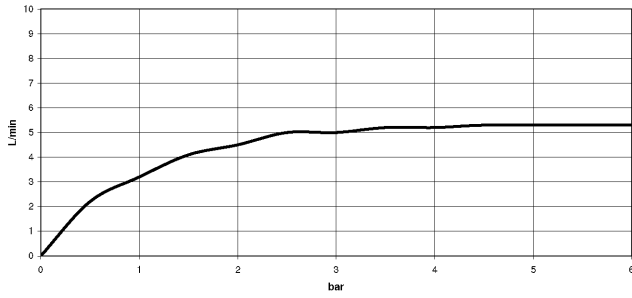
ST 010 202 8740

**SYMETRICS Basin mixer without pop-up waste with temperature setting -
Chrome**

ST 010 202 8740
mm [inches]



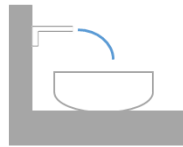
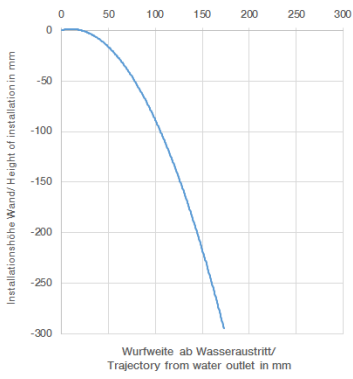
Flow rate chart



SYMETRICS Basin mixer without pop-up waste with temperature setting - Chrome

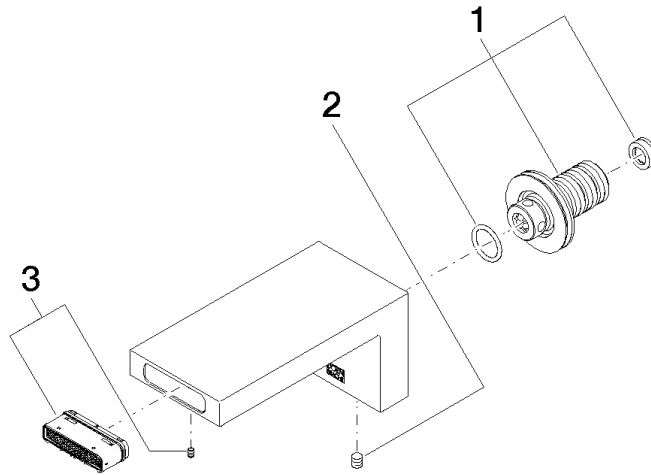
ST 010 202 8740

Trajectory diagram



**SYMETRICS Basin mixer without pop-up waste with temperature setting -
Chrome**

ST 010 202 8740



Spare parts list

No.	Item Number	Name	Quantity used	Delivery time
1	90 24 03 108 00 90	nipple set	1	2
2	90 31 11 004 00 90	pin	1	2
3	90 29 03 067 00 90	aerator	1	2